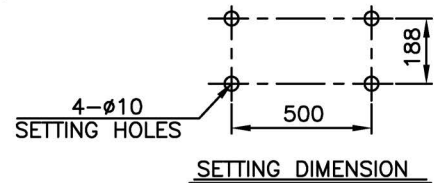
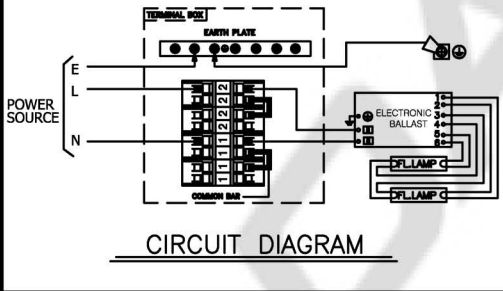
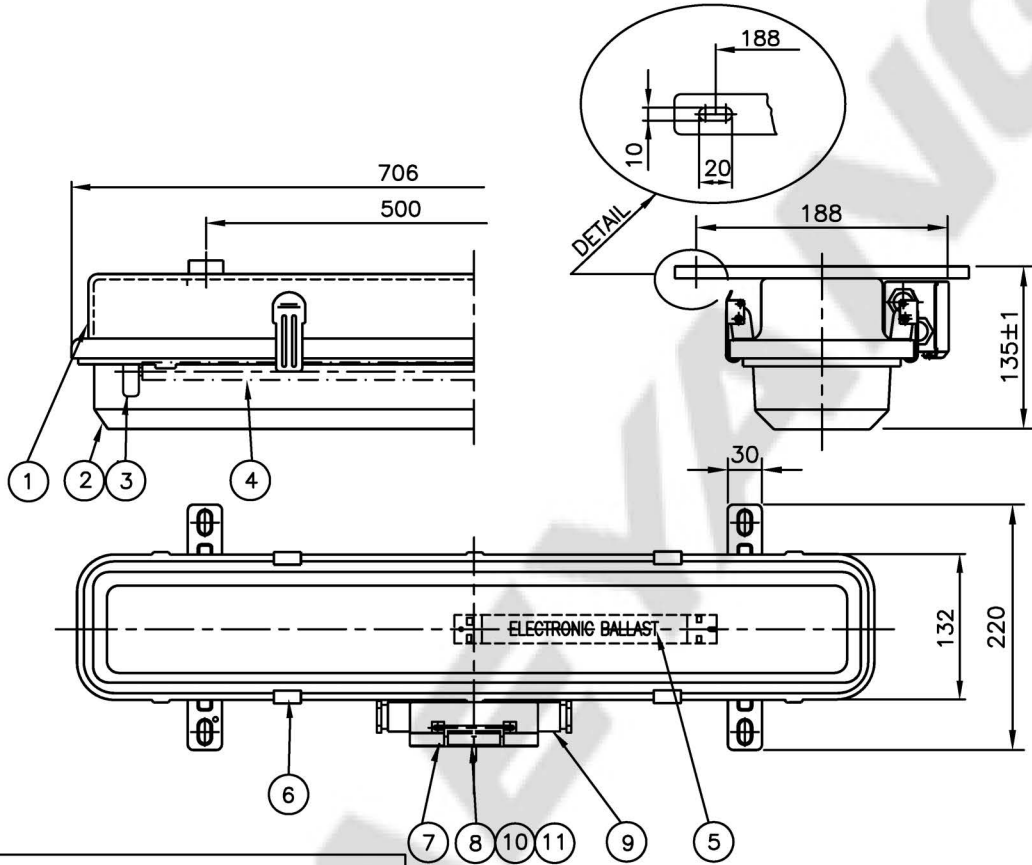


CAPACITY	SYMBOL/ SERIAL NO.	CIRCUIT DIAGRAM
AC 230V, 50Hz		
18W x 2		



					6	LATCH	STAINLESS STEEL 304	4	
11	TERMINAL BLOCK	-	1	CLAMPING 4P	5	ELECTRONIC BALLAST	-	1	
10	INSIDE EARTH BOLT	STAINLESS STEEL 304	4		4	LAMP	-	2	
9	CABLE GLAND	NYLON	4	Ø12.1~15.5	3	LAMP HOLDER	POLYCARBONATE	4	
8	TERMINAL BOX COVER	POLYCARBONATE	1		2	GLOBE	POLYCARBONATE	1	
7	TERMINAL BOX	POLYCARBONATE	1		1	BODY	STEEL	1	
NO	NAME OF PARTS	MATERIAL	Q'TY	REMARKS	NO	NAME OF PARTS	MATERIAL	Q'TY	REMARKS

APPROVED	B. K. KIM	UNIT	MM
CHECKED		SCALE	N/S
DRAWING	B. I. KIM	COLOR	N-9.3
DATE	2015.12.04	IP	56

TITLE;
**FLUORESCENT CEILING LIGHT
(SURFACE TYPE)
FOR MARINE USE**



MODEL NO.	FL220WS-0235EISWNm15h12	WEIGHT	5.18 Kg
DWG NO.	L11450880	SHEET NO.	